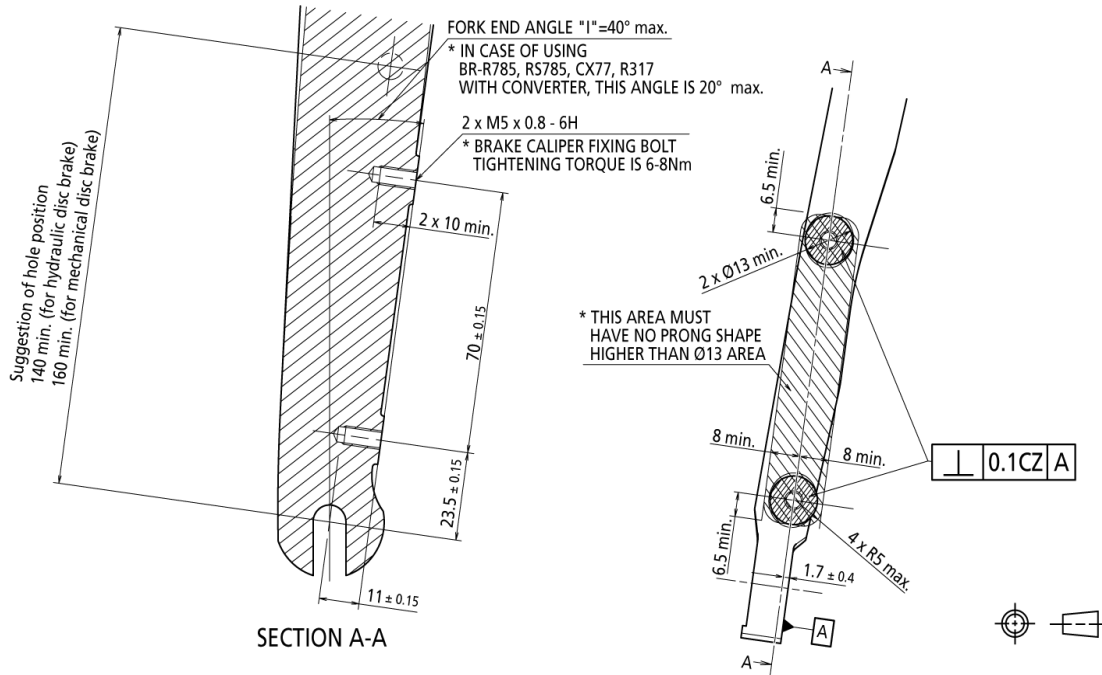
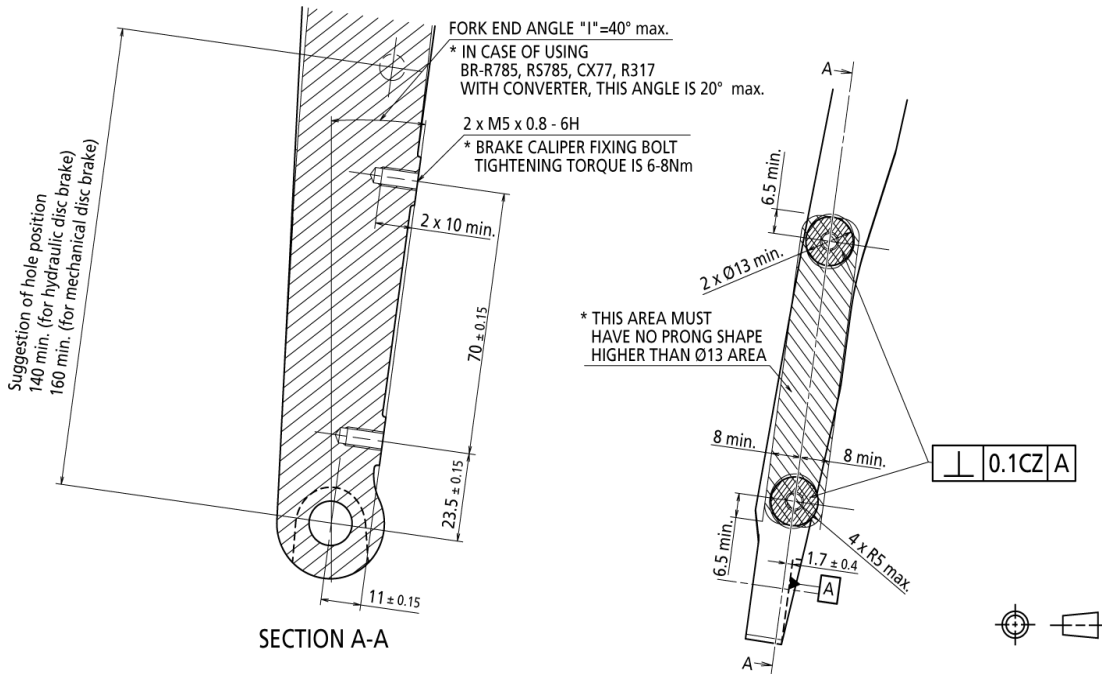


FRONT MOUNT for $\varnothing 140$ and $\varnothing 160$ disc brake rotor (for bracket of flat mount caliper) C-079

QR type



12mm E-THRU type



NOTE

- [BR-UR300](#) is compatible only with 160 mm disc brake rotor.
- [BR-UR300](#) doesn't need front mount bracket and rear adapter.